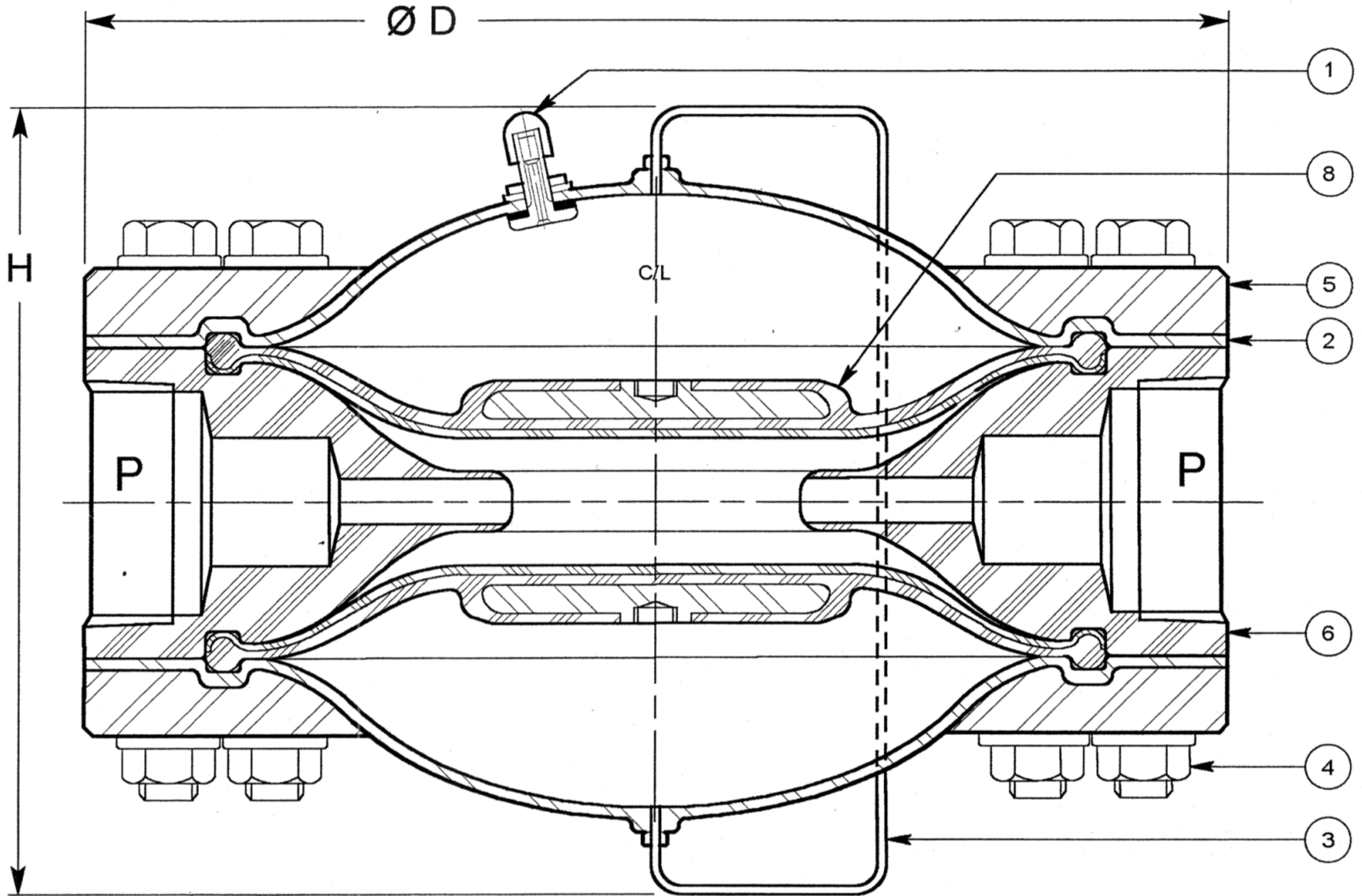


PD- "DOUBLE-ENDER"



-TW TRUE THRU-FLOW TWIN CONNECTION



Volume		Height (H)		Diameter (D)		Connection(P)	
in3	Ltrs	mm	ins	mm	ins	NPT Female	
15	0.25	165	6.5	155	6.1	1/2"	1/2"
40	0.65	205	8.0	198	7.8	3/4"	3/4"
80	1.31	260	10.3	250	9.8	1"	1"

ISO 9001 Certified
QSC 97028
95-LON-AQ-458

"L.D.i"
Liquid Dynamics
Quality Certification.
"DESIGN &
MANUFACTURE OF
PRESSURE VESSELS-"
copies of certificates & plan on request

ASME "U" Certified USA Plant
#29,289

Available Materials (Any Combination)	
Port Ring 6	D'phragm 8
PVC	Hypalon
Polyprop	E.P.D.M.
Glass fld.PTFE	Teflon
Ductile Iron	Viton

Item	Part No.	Description	Material	I.D. #	CUSTOMER:
1	2581	N2 Prefill	Brass		CUSTOMER REF.:
2		Head-Prefill	316 St'less Steel		QUANTITY:
3		N2 Balance Tube	316 St'less Steel		W/O No.:
4		Bolts/Nuts/Washers			WEIGHT (EST.):
5		Support Rings			W:
6		Port Ring			ISSUED BY:
7		Connections			CHECKED BY:
8		Diaphragm			ISSUE DATE: (DAY/MONTH/YEAR)

ISO 9001 PULSEGUARD Inc. ASME "U" CODE	TITLE: THRU-FLOW DOUBLE DIAPHRAGM PULSATION PREVENTOR	FILE REF: STD10SOG.VLM/28-AUG-98
	APPLICATION: Water Treatment Chemical Dosing Ferric Chloride smooth flow	SCALE: NTS ALL DIMENSIONS ARE IN MM EXCEPT AS STATED.
1-888-DAMPERS 326 7337 1-888-THRU FLO 847 8356 BOX 506, HAMPSTEAD, N.C. 28443, USA. Tel: 910-270-2737. Fax: 270-2739 URL: http://www.liquid-dynamics.com	VIEW NO. PD-TW/	SHEET: 1 OF 1 REV. 0
0800 174088 URL: http://www.ldi.co.uk	P.O. BOX 47, STOCKPORT, UK, SK5 7BB. Tel: 0161-442-6222. Fax: 443-1486	