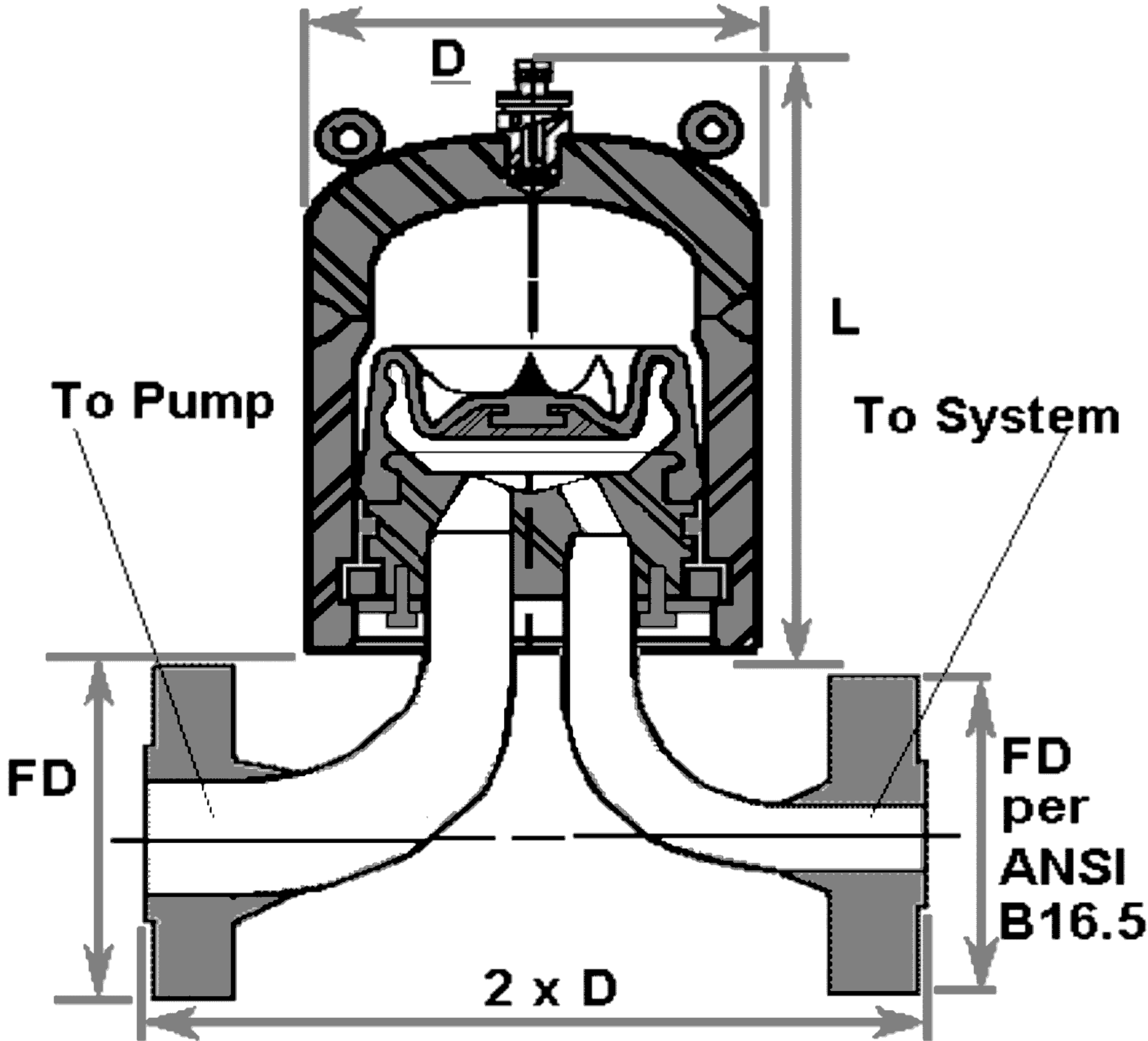


# PIPEHUGGER /TW/HP



## TYPICAL OPTIONAL CONNECTION For pumps with horizontal discharge flange.



Example - For 1,050 psi a 600# Flange would be use  
For 2" pipe, a 600# has O.D. of 6.5", therefor the overall  
height will be  $L + 6.5''$

Item	Part No.	Description	Material	I.D. #	CUSTOMER:	
1		N2 Prefill			CUSTOMER REF :	
2		Cap-Gas P/C			QUANTITY: _____	
3		Body (Shell)			W/O No :	
4		Snap Ring			W: <b>100% GTAW 309ss</b>	
5		End-closure	SA 240 316		WEIGHT (EST.):	
6		Seal			ISSUED BY:	
7		Anti-Ext.Button	SA 240 316		CHECKED BY:	
8		Diaphragm			ISSUE DATE: (DAY/MONTH/YEAR)	
<b>PULSEGUARD INC. LTD.</b> In Assoc. with Liquid Dynamics www.pulsation-shock.com ISO 9001 VESSEL CODE # 28,289 BOX 506, HAMPSTEAD, N.C. 28443, USA. Tel: 910-270-2737. Fax: 270-2739 P.O. BOX 47, STOCKPORT, UK, SK5 7BB Tel: 0161-442-6222. Fax: 443-1486					FILE REF:	
					SCALE: NTS	ALL DIMENSIONS ARE IN MM EXCEPT AS STATED.
TITLE: <b>PULSATION PREVENTOR</b>					SHEET: 1 OF 1	
APPLICATION: *					REV. 0	